

Illustration - Type - E

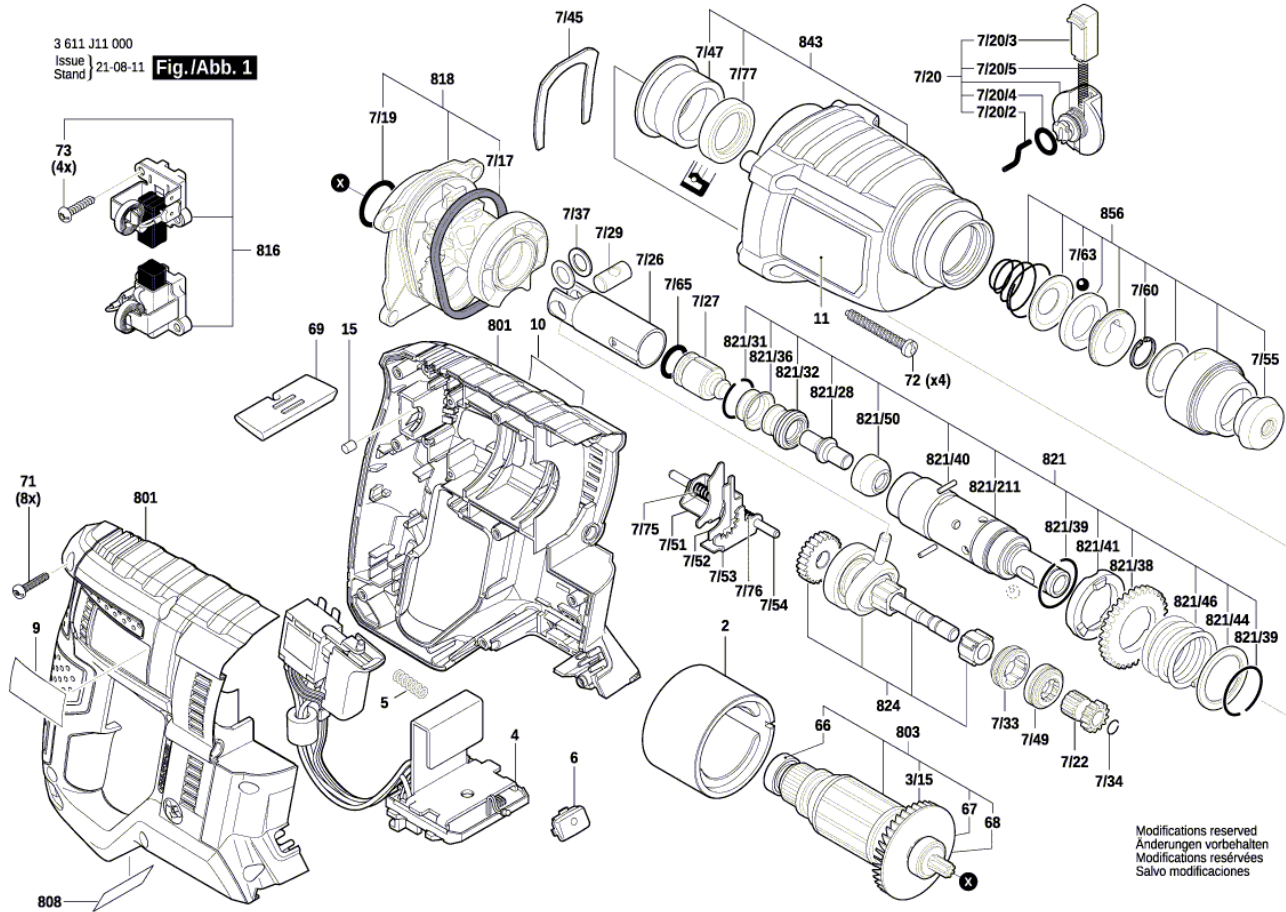
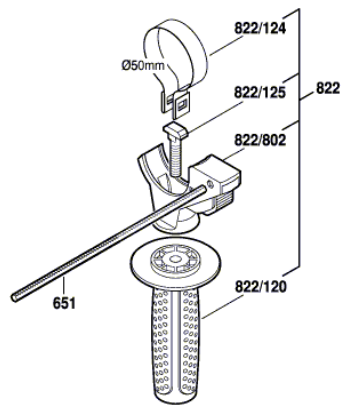


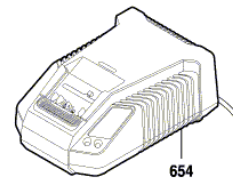
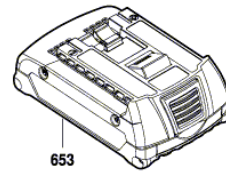
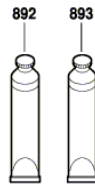
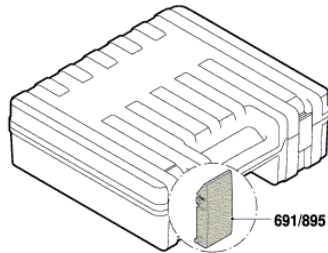
Illustration - Type - E

3 611 J11 000
 Issue | 20-08-19
 Stand } **Fig./Abb. 2**



Pos 7*
 Ausrastmoment 28,0 - 8,0 Nm
 Slipping point of clutch 28,0 - 8,0 Nm
 Couple de gissement 28,0 - 8,0 Nm
 Momento de desenclavamiento 28,0 - 8,0 Nm

Anzugsmomente
 Torque values
 Couple de serrage
 Pares de apriete
 Pos. 71 = 1,6 - 2,0 Nm
 72 = 2,2 - 2,7 Nm
 73 = 1,0 - 1,3 Nm
 822/12 = 2,7 - 4,7 Nm



Modifications reserved
 Änderungen vorbehalten
 Modifications réservées
 Salvo modificaciones

Spare parts list

| Item | Part Number | Description | Illustration |
|--------|---------------|-------------------------------------|--------------|
| 2 | 1 619 P13 742 | Field | 1 |
| 3/15 | 2 610 909 077 | axial flow fan | 1 |
| 4 | 1 600 A00 F9H | Electronic Module | 1 |
| 5 | 2 604 690 055 | Compression Spring | 1 |
| 6 | 1 619 P13 744 | Lens | 1 |
| 7/17 | 1 610 290 108 | O-Ring | 1 |
| 7/19 | 1 610 210 184 | O-Ring 22,0x2,5 MM | 1 |
| 7/20 | 1 612 026 151 | Clamp Handle BLACK | 1 |
| 7/20/2 | 1 614 690 009 | Driver Pin | 1 |
| 7/20/3 | 1 612 026 035 | Switch Button RED | 1 |
| 7/20/4 | 1 610 210 046 | O-Ring 10,5x2,7 MM | 1 |
| 7/20/5 | 1 614 611 006 | Compression Spring | 1 |
| 7/22 | 1 616 328 053 | Gear Sleeve | 1 |
| 7/26 | 1 618 700 083 | Hammer Piston | 1 |
| 7/27 | 1 618 710 085 | Striker | 1 |
| 7/29 | 1 613 100 034 | Piston Pin | 1 |
| 7/33 | 1 615 820 103 | Switching Element | 1 |
| 7/34 | 1 619 P00 829 | Retaining ring | 1 |
| 7/37 | 1 610 100 016 | Guide Disc | 1 |
| 7/45 | 1 611 016 003 | Holding Plate | 1 |
| 7/47 | 1 610 202 031 | Plain bearing | 1 |
| 7/49 | 1 615 820 104 | Switching Element | 1 |
| 7/51 | 1 610 021 004 | Shift Plate | 1 |
| 7/52 | 1 610 021 006 | Shift Plate | 1 |
| 7/53 | 1 610 021 005 | Shift Plate | 1 |
| 7/54 | 1 613 023 005 | Guide Rod | 1 |
| 7/55 | 1 610 508 052 | Protective Cap | 1 |
| 7/60 | 1 614 601 077 | Spring retaining ring | 1 |
| 7/63 | 1 903 230 013 | Ball DIN 5401-Ø7MM-III-ST | 1 |
| 7/65 | 1 610 210 244 | O-Ring 13,0x3,0 MM | 1 |
| 7/75 | 1 614 643 025 | Compression Spring | 1 |
| 7/76 | 1 614 643 023 | Compression Spring | 1 |
| 7/77 | 1 619 P09 722 | Shaft Seal | 1 |
| 9 | 1 619 P13 760 | Manufacturer's nameplate GBH 180-LI | 1 |
| 10 | 1 619 P13 761 | Manufacturer's nameplate GBH 180-LI | 1 |

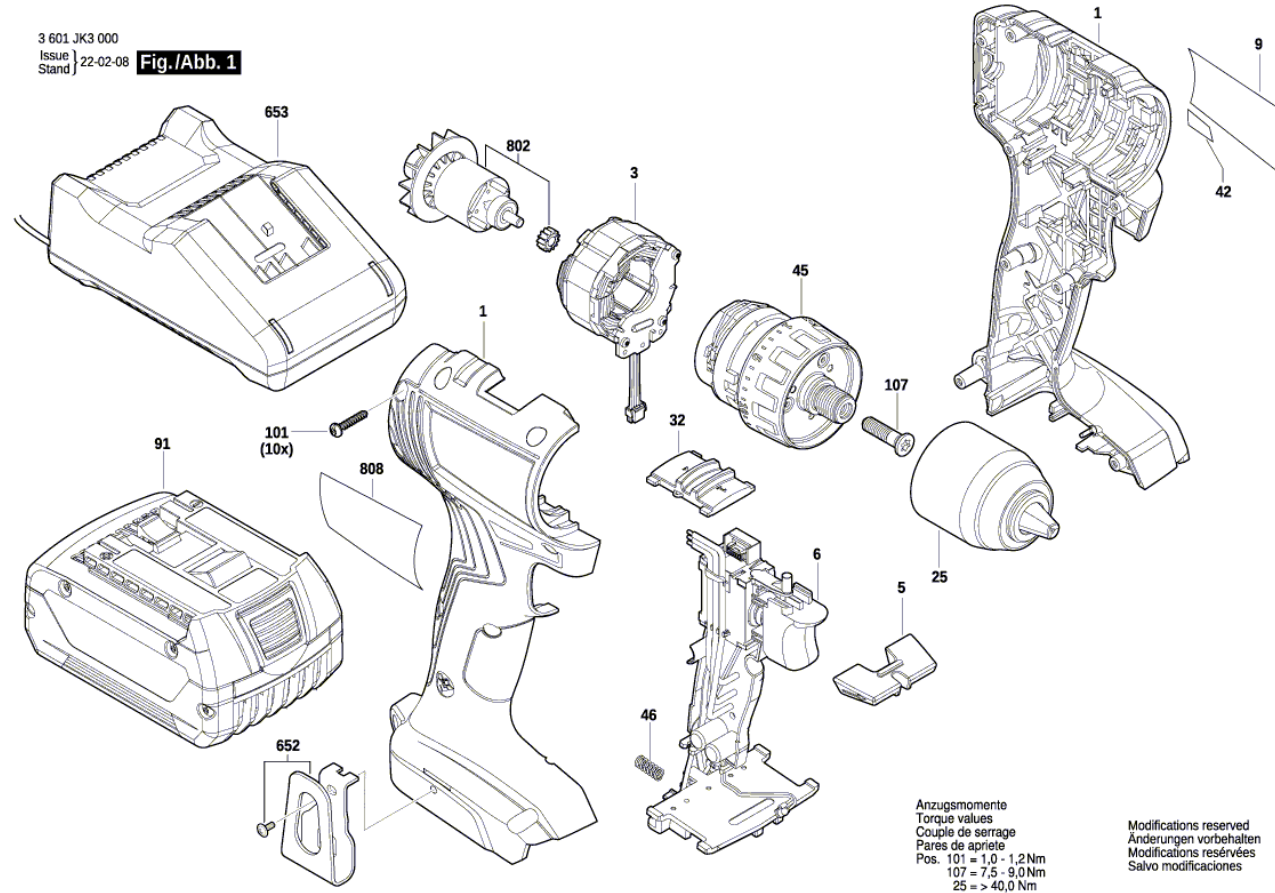
Spare parts list

| Item | Part Number | Description | Illustration |
|---------|---------------|--|--------------|
| 11 | 1 619 P13 767 | Reference Plate | 1 |
| 15 | 2 603 100 056 | Damping rubber | 1 |
| 66 | 1 900 905 029 | Ball Bearing 8x22x7 | 1 |
| 67 | 1 610 905 047 | groove ball bearing | 1 |
| 68 | 1 600 100 037 | Plain Washer | 1 |
| 69 | 1 619 P13 747 | Change-Over Switch | 1 |
| 71 | 2 603 490 023 | Torx Oval-Head Screw 4x20 | 1 |
| 72 | 1 619 P09 645 | Torx Oval-Head Screw | 1 |
| 73 | 1 619 P06 252 | Torx Oval-Head Screw | 1 |
| 801 | 1 619 P14 446 | Motor Housing | 1 |
| 803 | 1 619 P14 346 | Armature | 1 |
| 808 | 1 619 P14 573 | Nameplate | 1 |
| 816 | 1 619 P14 345 | Carbon-Brush Set | 1 |
| 818 | 1 619 P09 616 | Intermediate Flange | 1 |
| 821 | 1 619 P09 617 | Hammer Pipe | 1 |
| 821/211 | 1 619 P09 815 | Hammer Pipe | 1 |
| 821/28 | 1 613 124 084 | Striker Pin | 1 |
| 821/31 | 1 619 P09 816 | Retaining ring | 1 |
| 821/32 | 1 619 P07 426 | Rubber Bushing | 1 |
| 821/36 | 1 610 551 008 | Holding Plate | 1 |
| 821/38 | 1 616 317 084 | Cylindrical Gear | 1 |
| 821/39 | 1 614 601 055 | Retaining ring | 1 |
| 821/40 | 1 613 100 032 | Straight Pin | 1 |
| 821/41 | 1 610 102 072 | Ratchet Disc | 1 |
| 821/44 | 1 610 102 092 | Friction Washer | 1 |
| 821/46 | 1 614 630 003 | Compression Spring | 1 |
| 821/50 | 1 619 P11 562 | Guide Bushing | 1 |
| 824 | 1 617 000 6BC | Jack Shaft | 1 |
| 843 | 1 619 P09 186 | Gear Housing | 1 |
| 856 | 1 617 000 6D3 | Protection Sleeve | 1 |
| 651 | 1 613 001 009 | Depth-Gauge SW 6x210 MM | 2 |
| 653 | 1 607 A35 0M0 | Battery Pack GBA 18V 4.0Ah | 2 |
| 654 | 2 607 226 251 | Fast Charger EU GAL 18V-40, 230V/10,8V – 18V | 2 |
| 691/895 | 1 619 P14 336 | Latch | 2 |

Spare parts list

| Item | Part Number | Description | Illustration |
|-------------|--------------------|-------------------------|---------------------|
| 822 | 1 602 025 08X | Auxiliary Handle | 2 |
| 822/120 | 1 602 025 07H | Auxiliary Handle | 2 |
| 822/124 | 1 611 316 021 | Clamping Band Ø50 MM | 2 |
| 822/125 | 1 613 490 002 | T-Head Bolt M8x40 MM | 2 |
| 822/802 | 1 617 000 475 | Support clamp | 2 |
| 892 | 1 615 430 020 | Grease Tube 225 ML | 2 |
| 893 | 1 615 430 001 | Grease Tube 225 ML | 2 |

Illustration - Type - E



Spare parts list

| Item | Part Number | Description | Illustration |
|------|---------------|--|--------------|
| 1 | 1 605 806 62H | Housing | 1 |
| 3 | 1 619 P15 696 | Stator | 1 |
| 5 | 1 600 A01 Z04 | Changeover Lever | 1 |
| 6 | 2 607 202 513 | Electronics Module | 1 |
| 9 | 1 601 11C 4DC | Manufacturer's nameplate | 1 |
| 25 | 1 600 A02 7W8 | Keyless Chuck | 1 |
| 32 | 1 600 A01 2MM | Switchover Unit | 1 |
| 42 | 1 601 11C 49H | Sticker | 1 |
| 45 | 1 600 A01 ZT8 | Gear Box | 1 |
| 46 | 1 609 280 477 | Compression Spring | 1 |
| 91 | 1 607 A35 0M7 | Battery Pack TWN GBA 18V 4.0Ah M-C | 1 |
| 91 | 1 607 A35 0MN | Battery Pack GBA 18V 2.0Ah | 1 |
| 101 | 2 609 110 201 | Torx Flat-Head Screw 3x16 | 1 |
| 107 | 2 603 421 229 | Countersunk-Head Screw M6x23 LEFTHAND THREADS | 1 |
| 652 | 1 600 A02 7W3 | Clip | 1 |
| 653 | 2 607 226 251 | Fast Charger EU GAL 18V-40, 230V/10,8V – 18V | 1 |
| 653 | 2 607 226 281 | Fast Charger EU GAL 18V-20 220V-240V 12V-18V 2A | 1 |
| 802 | 1 607 000 EC2 | Rotor | 1 |
| 808 | 1 601 11A 954 | Nameplate | 1 |